



**american
security
equipment
company**

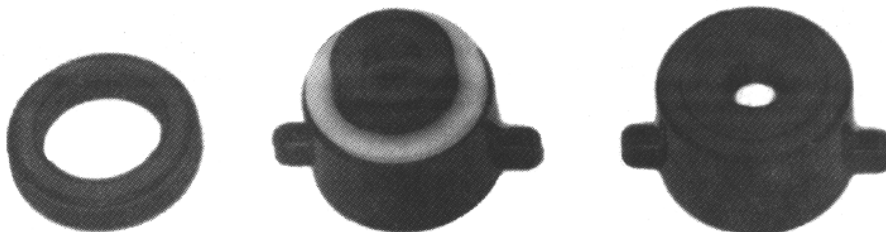
CORPORATE OFFICE & WAREHOUSE
228 EAST STAR OF INDIA LANE, CARSON, CA 90746
PHONE (310) 538-4670 • FAX (310) 538-9932

EAST COAST OFFICE & WAREHOUSE
30 F CHAPIN ROAD, PINE BROOK, NEW JERSEY 07058
PHONE (201) 575-4433 • FAX (201) 575-5504

P.A.L. 328 Series

Electronic Piezo-A-Lert Buzzer

LISTED AS UL RECOGNIZED COMPONENT



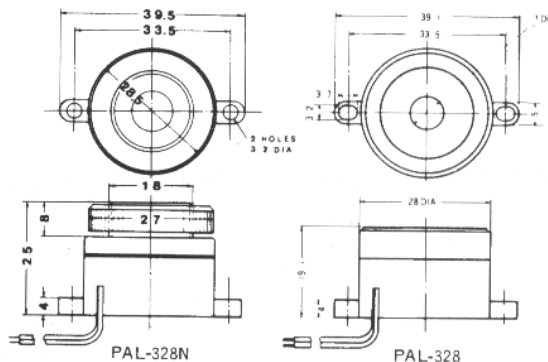
Description

The Piezo-A-Lert is an advanced electronic audible signal device that emits a compelling sound on a minimum current. This solid state device operates from as little as 3 volts DC to as much as 28 volts DC and is rated at 20 mA. Sound output is proportional to input voltages and ranges from a minimum OT 68dB to over 100dB at 28V DC at one foot. The piezo-electronic contact points give it high reliability and an exceptional long life. The Piezo-A-Lert signal operates in free air only. This means that it can be used for any purpose with the exception of under water. The recommended operating temperature range is from -25° C to -70° C. This U.L. recognized Piezo-A-Lert is

available in three models. The PAL-328N, and PAL-328 have a black finish and the PAL-328NC has a chrome finish on the face and nut.

The PAL-328N and PAL-328NC have a multi-functional mounting method. By simply unscrewing the face nut it can be inserted into any standard 3/4 inch knockout hole and by screwing the nut back in place you have a solid mounting. On the base, located to either side are two loops. Insert screws and the unit can be surface mounted. The PAL 328 model can only be installed utilizing the two loops with screws.

Dimensions: mm

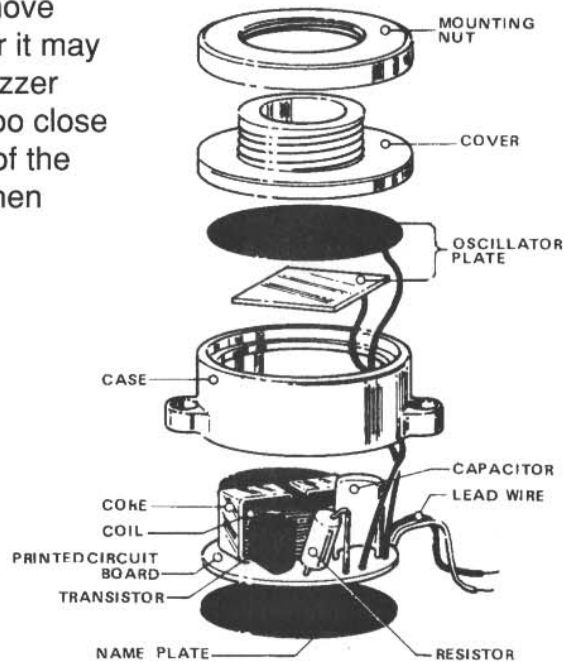


Specifications

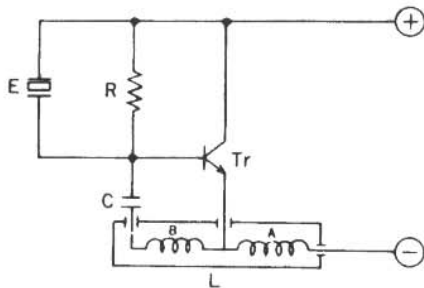
Rated Voltage	DC 3-28V
Rated Current	20mA Max. at 28V DC.
Power Output	93 dB at 1 meter
Operating Temperature	-25°C~+70°C (-13°~158°F)
Expected Life	250 hrs.
Starting Voltage	1.0 V Max.

The PAL-328 series Piezo buzzers operate when an audible frequency is applied from a transistor to an oscillator plate containing a piezo-electric element and a metallic vibrating plate.

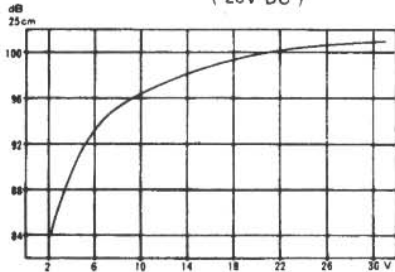
It is important when installing the PAL Series Buzzer within any enclosed area to remove any obstruction in front of the buzzer for it may deflect and prevent the sound of the buzzer from reaching the outside. Any object too close to the buzzer may minimize the sound of the buzzer. Please observe these points when installing the buzzer, and determine experimentally for the best location.



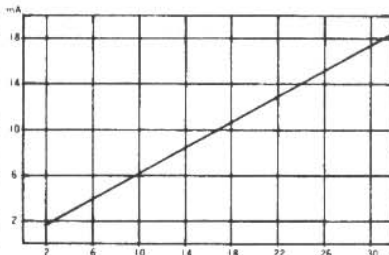
■ Circuit Diagram



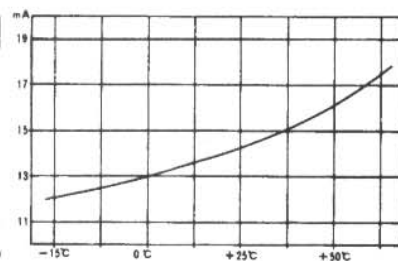
■ Sound Output - Voltage
(28V DC)



■ Voltage - Current
(28V DC)



■ Current - temperature
(28V DC)



Distributed by:



CORPORATE OFFICE & WAREHOUSE

228 EAST STAR OF INDIA LANE, CARSON, CA 90746

PHONE (310) 538-4670 • FAX (310) 538-9932 •

EAST COAST OFFICE & WAREHOUSE

30 F CHAPIN ROAD, PINE BROOK, NEW JERSEY 07058

PHONE (201) 575-4433 • FAX (201) 575-5504 •